

PART NAME

GRABBER (STYLE D)

PART No.

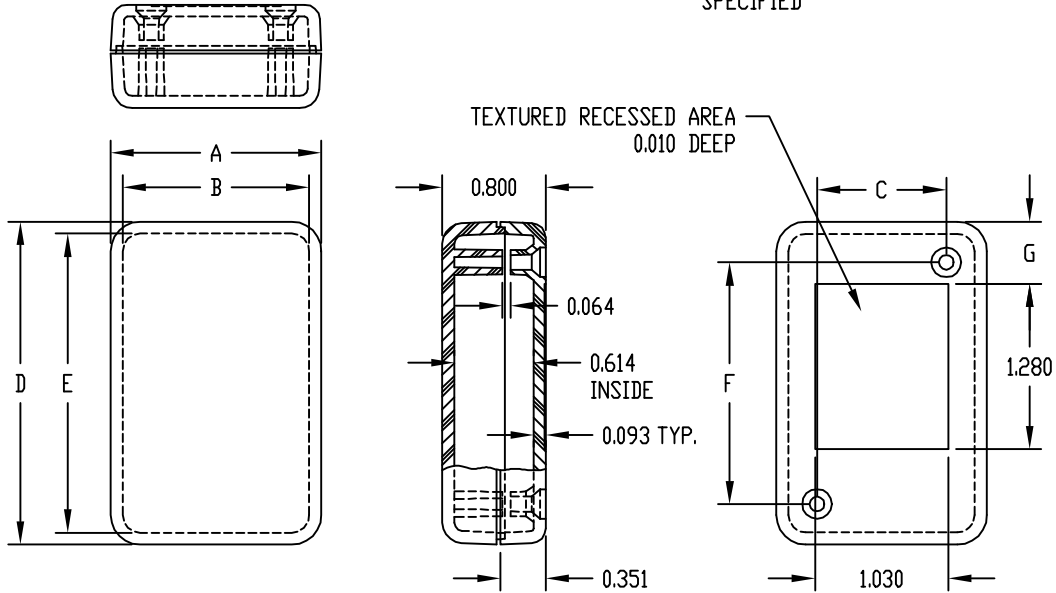
HH-3465 & HH-3468

MATERIAL: ABS THERMOPLASTIC, UL94V-0  
 FLAMMABILITY RATING (UL FILE #E121562),  
 SUGGESTED SERVICE TEMPERATURE -20° C  
 TO +70° C

FINISH: BLACK TEXTURED

TWO (2) #4 x 0.500" LG. SCREWS (BLACK)  
 SUPPLIED FOR ASSEMBLING COVER TO BODY

NOTE: ALL DIMENSIONS HAVE ±0.010  
 TOLERANCE UNLESS OTHERWISE  
 SPECIFIED



PART NO.	A	B	C	D	E	F	G
HH-3465	1.630	1.444	1.000	2.500	2.314	1.870	0.481
HH-3468	2.000	1.814	1.375	2.750	2.564	2.125	0.591

PART NAME

GRABBER (STYLE D)

PART No.

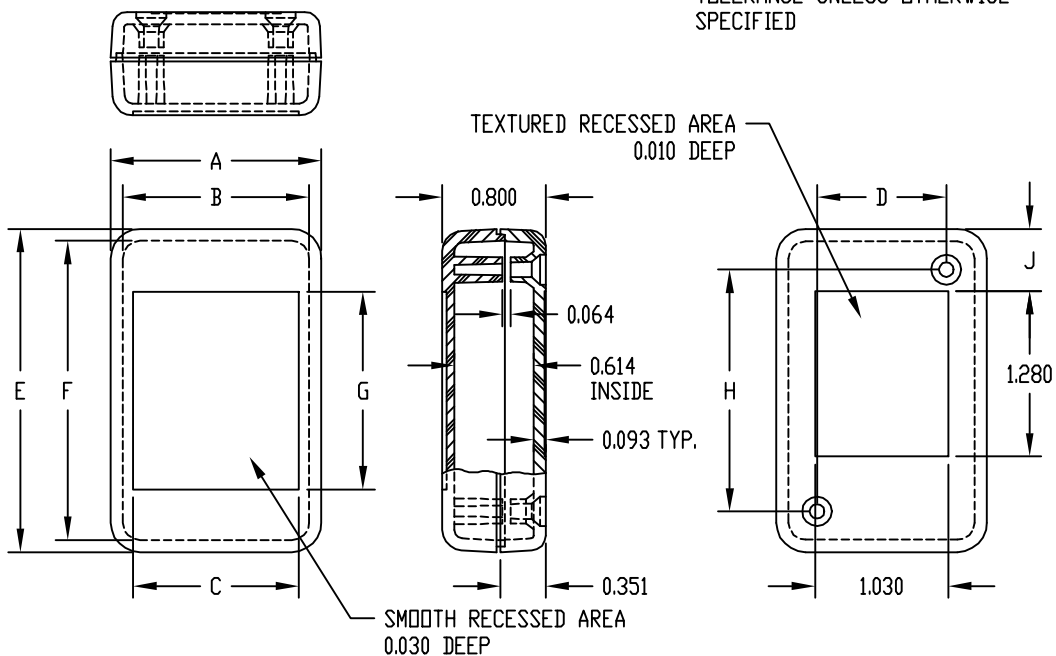
HH-3466 & HH-3469

MATERIAL: ABS THERMOPLASTIC, UL94V-0  
 FLAMMABILITY RATING (UL FILE #E121562),  
 SUGGESTED SERVICE TEMPERATURE -20° C  
 TO +70° C

FINISH: BLACK TEXTURED

TWO (2) #4 x 0.500" LG. SCREWS (BLACK)  
 SUPPLIED FOR ASSEMBLING COVER TO BODY

NOTE: ALL DIMENSIONS HAVE ±0.010  
 TOLERANCE UNLESS OTHERWISE  
 SPECIFIED



PART NO.	A	B	C	D	E	F	G	H	J
HH-3466	1.630	1.444	1.280	1.000	2.500	2.314	1.530	1.870	0.481
HH-3469	2.000	1.814	1.530	1.375	2.750	2.564	1.780	2.125	0.591